



CME 610 SLK.

Smooth steel electric grill/plancha.



- Same features as model CMG 610 SLK, but in electric version.
- Power: 4.4 kW.
- Electric supply: 230 V single phase or three-phase 400V + N + E.
- 2 independent heating zones with variable power control.

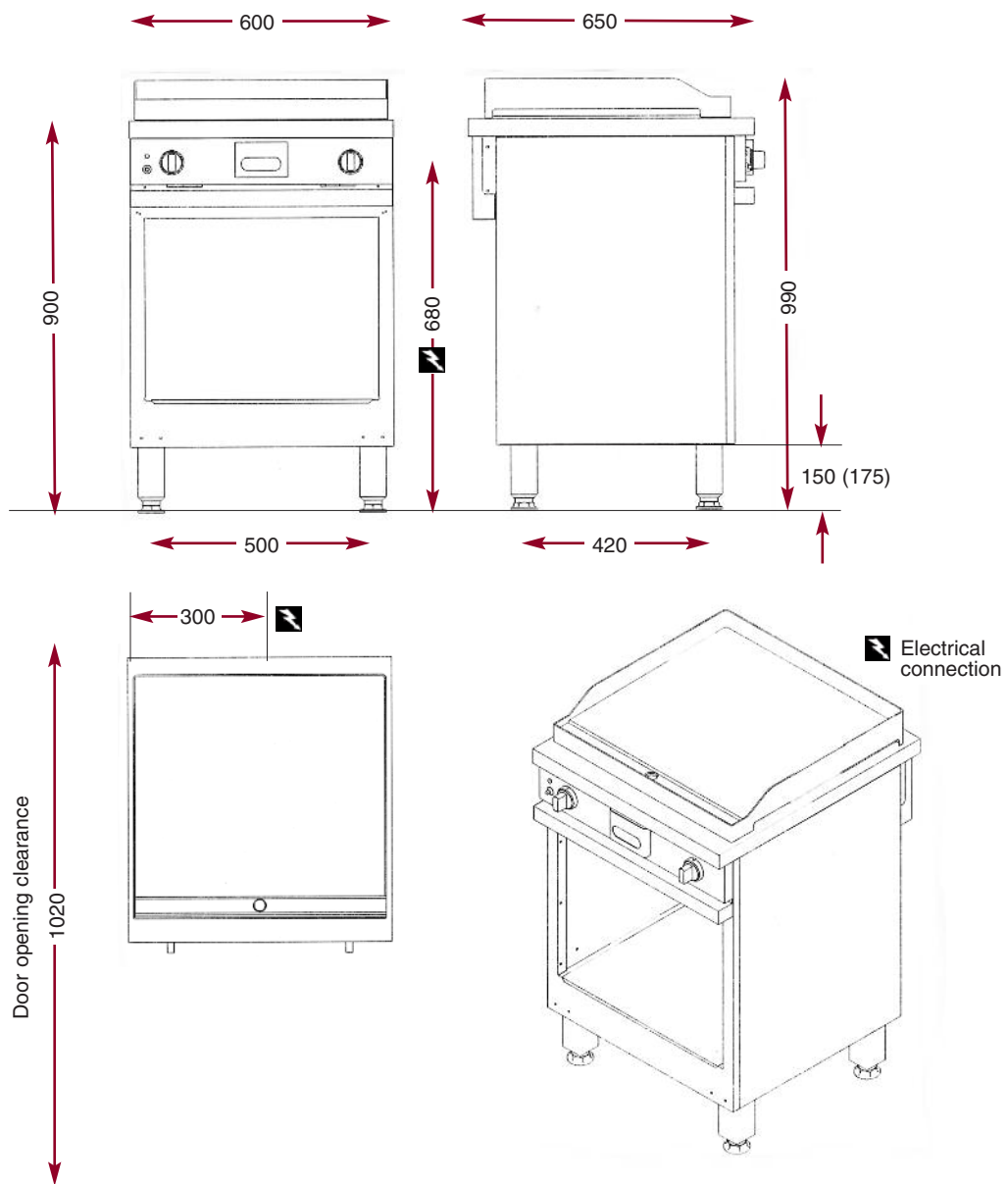
CME 610 SLK L 600 - P 650 - H 900

Door option 600.

CPM 600

Smooth steel electric grill/plancha.

CME 610 SLK



Oil trap.

AMBASSADE
DE BOURGOGNE

The Chef's Choice.

N° 57 - 2